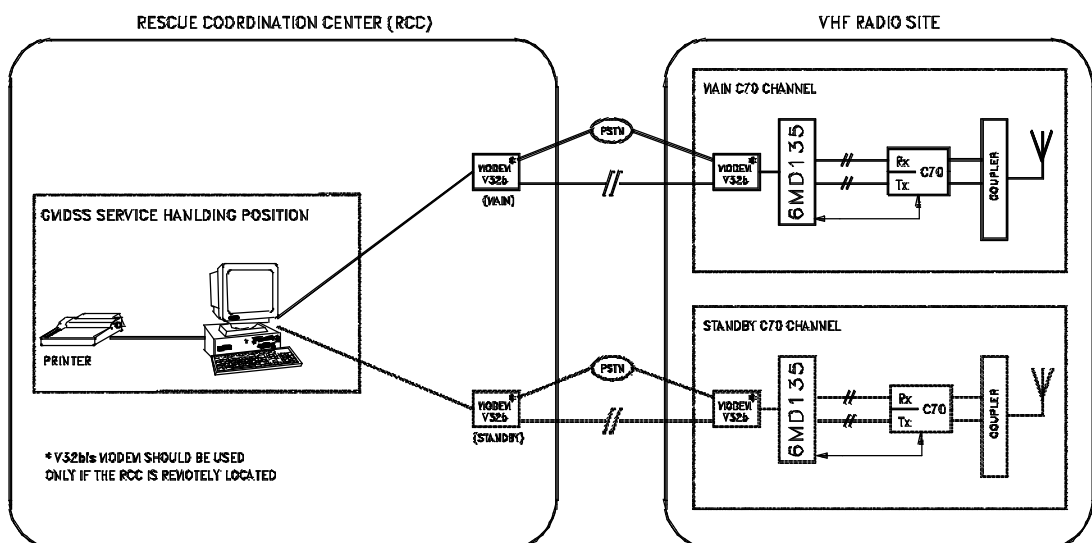


The 6MD135 unit ensures processing of DSC signalling used in the Global Maritime Distress and Safety System (GMDSS) applications.



Functions	Main characteristics
<ul style="list-style-type: none"> • Digital Selective Call (DSC) modulation-demodulation over 4-wire "Audio Frequency" accesses coming from radioelectrical equipment. • Remote control and signalling of radioelectrical equipment. • Data exchanges with local or remote operator position (via modems). • Maintenance functionalities: local terminal test access, alarm light, DSC controller status light, remote control and signalling light. 	<ul style="list-style-type: none"> • 3 x RS232 serial links for local or remote control. • Audio frequencies accesses: 600 Ohms balanced with adjustable level. • Signalling: relays loops and isolated optocouplers. • Radio signal strength detection. • Led's for status displaying. • EMC and Safety compliant. • DC or Mains power supply • Dimensions of shelf: 1U, 19", 320mm

Example of application



SP4445A A4/252B5